



ALSD1 - Siren Driver

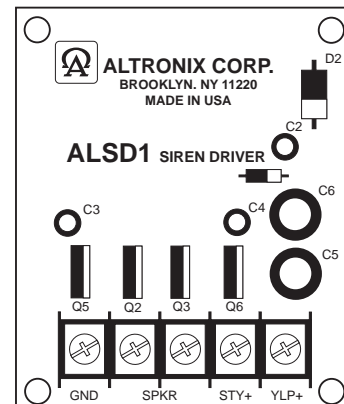
Overview:

The ALSD1 is a high output very low current draw dual channel siren driver designed to work with alarm panels with limited current capability.

Specifications:

- 6 or 12VDC operation.
 - 6VDC to 12VDC operation
 - Parallel or series speaker wiring
 - 112 db @ 10' @ 6V - 8 Ohms
 - 115 db @ 10' @ 6V - 4 Ohms
 - 116 db @ 10' @ 12V - 8 Ohms
 - 120 db @ 10' @ 12V - 4 Ohms
- Current draw range from .5 amp to 1.8 amp based on speaker resistance and supply voltage.
- Two (2) channel operation - steady or yelp.
- Very low current draw.

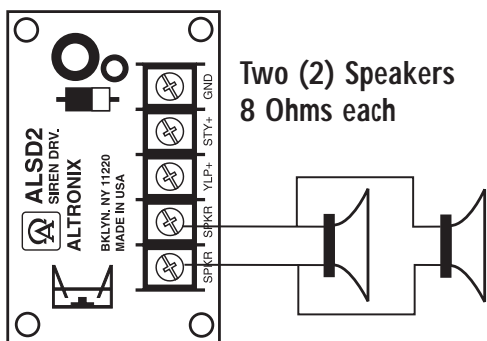
Enclosure Dimensions: 1.75”H x 2.75” W x 1.1” D



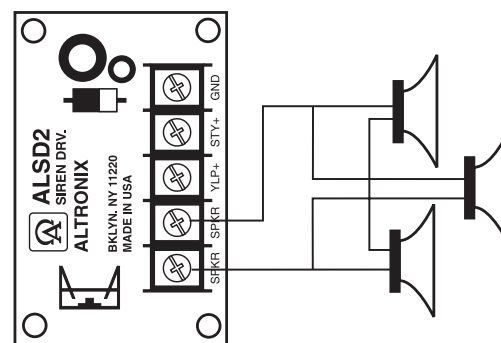
Installation Instructions:

1. Mount the ALSD1 in desired location.
2. Connect 4 Ohm or 8 Ohm speakers to terminals marked SPKR (see suggested speaker wiring diagrams below).
3. Connect 6VDC to 12VDC from output terminals on control panel or other desired power source (observing polarity) to (-) negative and STY+ or YLP+ on ALSD1.

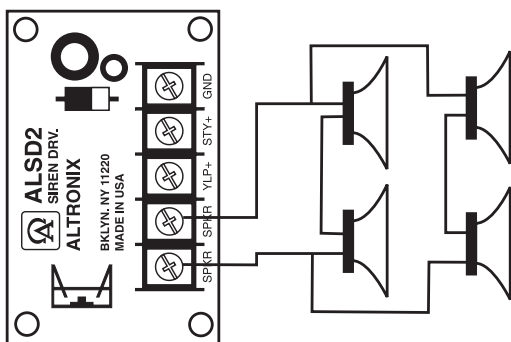
Note: Steady tone overrides yelp tone if both channels are triggered simultaneously.



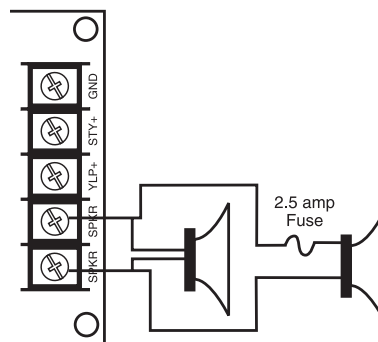
Three (3) Speakers 8 Ohms each



Four (4) Speakers 4 or 8 Ohms each



Two (2) Internal/External Hook-up



Fusing External Speakers:

Speakers that are accessible from outside a building should have a 2.5 amp fuse placed in series with the speaker leads so that any attempt to short the speaker leads will blow the fuse on that speaker while other speakers will continue to operate.



Altronix is not responsible for any typographical errors. Product specifications are subject to change without notice.